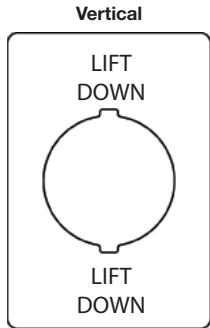
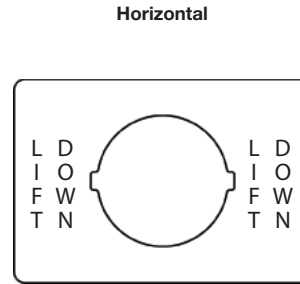


Accessories  
 Engraved Legend Plates



Cat. No. 800F-36VE416



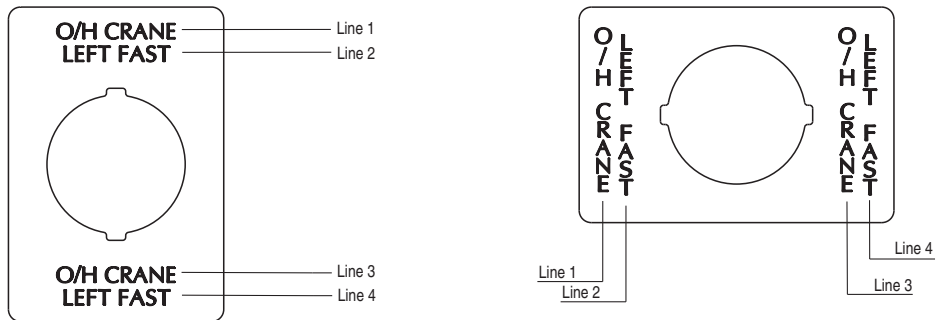
Cat. No. 800F-36HE416

Description	Cat. No.	Description	Cat. No.
Blank	800F-36BE100	1-2-3 SPEED, O/H CRANE, FORWARD	800F-36SE411
O-I	800F-36SU231	1-2-3 SPEED, O/H CRANE, REVERSE	800F-36SE412
I-O-II	800F-36SU234	ALARM	800F-36SE413
RESET	800F-36SE186	HOIST, LEFT	800F-36SE414
START	800F-36SE208	HOIST, RIGHT	800F-36SE415
STOP	800F-36SE212	LIFT, DOWN	800F-36SE416
1-2 SPEED, HOIST, LEFT	800F-36SE401	LIFT, DOWN FAST	800F-36SE417
1-2 SPEED, HOIST, RIGHT	800F-36SE402	LIFT, UP	800F-36SE418
1-2 SPEED, LIFT, DOWN	800F-36SE403	LIFT, UP FAST	800F-36SE419
1-2 SPEED, LIFT, UP	800F-36SE404	O/H CRANE, FORWARD	800F-36SE420
1-2 SPEED, O/H CRANE, FORWARD	800F-36SE405	O/H CRANE, FORWARD, FAST	800F-36SE421
1-2 SPEED, O/H CRANE, REVERSE	800F-36SE406	O/H CRANE, LEFT FAST	800F-36SE422
1-2-3 SPEED, HOIST, LEFT	800F-36SE407	O/H CRANE, REVERSE	800F-36SE423
1-2-3 SPEED, HOIST, RIGHT	800F-36SE408	O/H CRANE, REVERSE, FAST	800F-36SE424
1-2-3 SPEED, LIFT, DOWN	800F-36SE409	O/H CRANE, RIGHT FAST	800F-36SE425
1-2-3 SPEED, LIFT, UP	800F-36SE410	START, ALARM	800F-36SE426
		Custom text	800F-36SE100*

§ For vertically mounted operators, add a **V** to the cat. no. Example: **Cat. No. 800F-36SE186** becomes **Cat. No. 800F-36VE186**.  
 For horizontally mounted operators, add an **H** to the cat. no. Example: **Cat. No. 800F-36SE186** becomes **Cat. No. 800F-36HE186**.

\* Font code (**K**, **S**, **L**) must be selected from the following table.

⊛ Please fill in the custom text fax sheet found on page 112 to ensure accuracy of legend plate engraving.



Font Size	Vertical Mounting (V)		Horizontal Mounting (H)	
	Max. Characters Per Line	Max. No. of Lines	Max. Characters Per Line	Max. No. of Lines
K (small)	16	4	9	4
S (standard)	14	4	8	4
L (large)	10	2	7	2